

Installation
Questions?
Missing Parts?
Replacements?

**PLEASE CALL OUR
HELP LINE AT
1-866-333-8868**

*Please do not return
product to store*

***Please read entire manual
before beginning installation.***

***Quick and
Easy to Size
and Install***

Installation Manual for

PHANTOM

Unseen™

Retractable Screen Solutions

For Right Hinged Doors

Recommended for In-Swing Doors

(Not for use on sliding patio doors)

Durable. Reliable. Attractive.

For door openings up to 36" (914 mm) wide
and 81 ³/₁₆" (2,062 mm) high



QC03-0903R



True to you. Pure Phantom

Congratulations and thank you for purchasing an Unseen Screen!

The Unseen retractable screen is designed and manufactured by Seiki Screen Systems, one of the world's largest manufacturers of retractable screens. Phantom Screens, North America's leading brand of retractable solutions, is proud to bring you these innovative products. Thanks to engineered design and rigorous product testing, this screen will provide years of dependable operation. Plus, it comes with a factory supplied limited lifetime warranty against manufacturer's defects on all parts, except mesh.

The screen was designed for easy sizing and installation. This Installation Manual provides a step by step guide through the entire process.

Any questions? Contact our Toll Free Help Line at
1-866-333-8868.

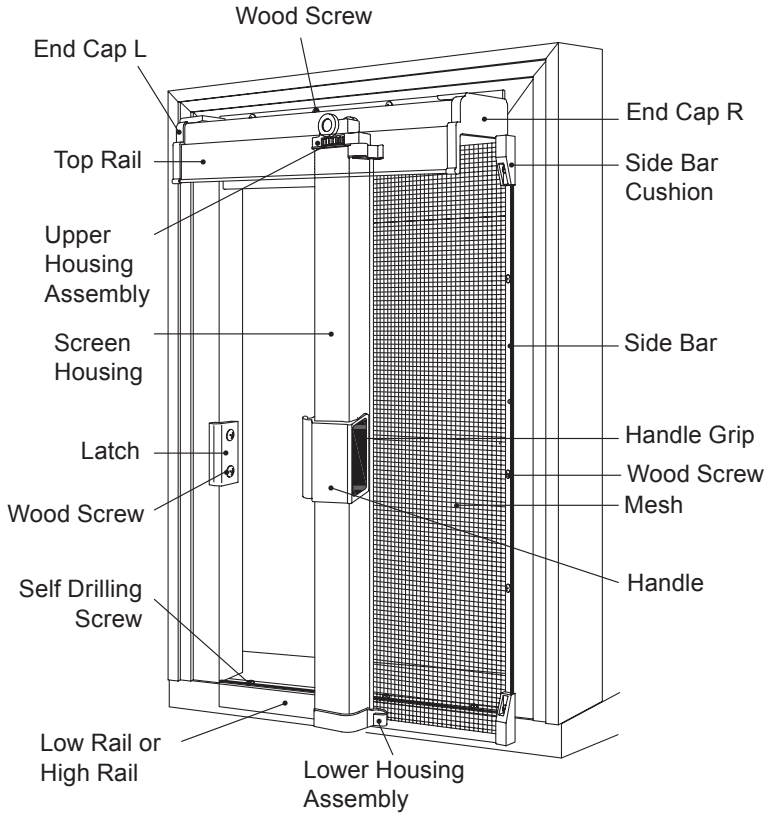


True to you. Pure Phantom

Getting to Know the Unseen Screen	4
Understanding the Application of the Screen ...	5
Parts and Tools	6, 7
Measuring the Door Opening	8
Choosing the Correct Bottom Rail	9
Sizing the Screen	10
Cutting the Top and Bottom Rails	11
Cutting the Screen Housing	12, 13, 14
Installing the Top Rail	15
Installing the Screen Housing	16
Installing the Bottom Rail	17, 18
Final Steps	19, 20
Notes Page	21
Service and Maintenance, Warranty	22, 23

Getting to Know the Unseen Screen

Before beginning the installation process, become familiar with the screen and the door on which it will be installed.



Installation
Questions?
Missing Parts?
Replacements?

**PLEASE CALL OUR
HELP LINE AT
1-866-333-8868**

*Please do not return
product to store*

! ATTENTION !

Insect screens are intended to provide reasonable insect control and are not intended to provide security or retention of objects, animals or persons.

Understanding the Application of the Screen

Is there enough Mounting Surface for the Unseen?

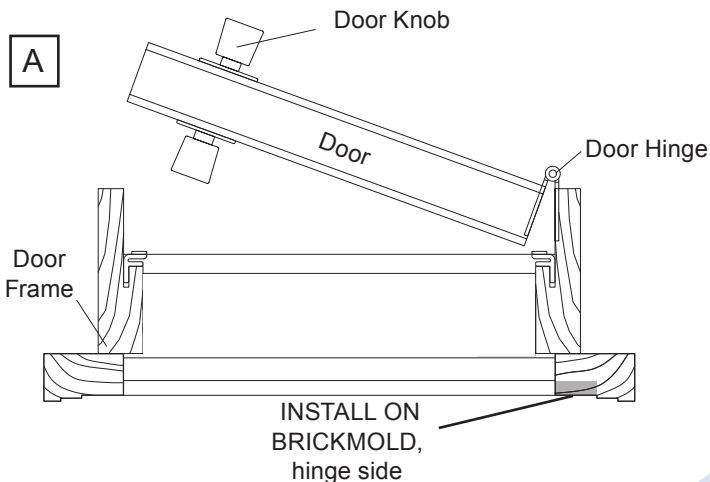
The screen installs on the outside surface of the door trim (brick mold). A minimum of 11/16" (17 mm) is required. See Mounting Surface as indicated in diagram **A**.

Is the Door Opening Square?

For the screen to operate effectively, the door opening must be perfectly square. Using a Carpenter Square, check to ensure that the door frame or mounting surface is square. If not, use shims to bring the door frame or mounting surface to square before beginning installation. If shimming the door frame or mounting surface is not possible, apply shims beneath the screen components to ensure a plumb, level and square installation.

Is this screen being installed on a Right Hinged Door?

Finally, make sure the correct model has been purchased! The screen in this package is configured for a "RIGHT" hinged door. The hinges should be on the right side and the door knob should be on the left. This screen is designed to be installed on in-swing doors only. This requires the screen to be installed on the outside of the building.

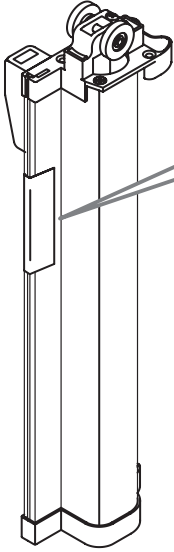


Top View of Door Frame

Parts

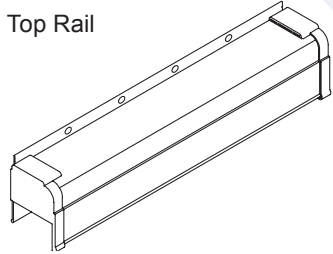
The following parts are included with your Unseen Screen.

1 Screen Housing

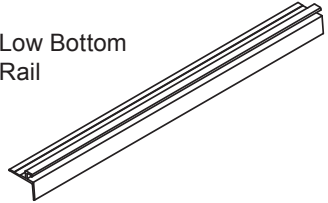


Do not remove blue tape until installation is complete

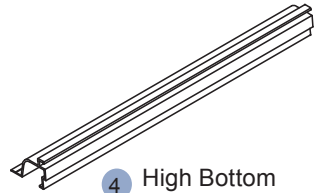
2 Top Rail



3 Low Bottom Rail



4 High Bottom Rail



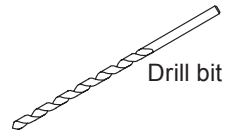
5 Latch



6 Handle



7 Handle Grip



Drill bit



Self Drilling Metal Screw
(4 pcs.) Stainless Steel



Painted Wood Screw
(11 pcs.) for Side Bar

8 Protective Sticker

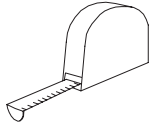


The following tools will be required for this install.

Metal File



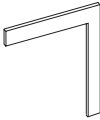
Measuring Tape



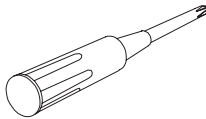
Safety Glasses



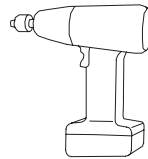
Carpenter Square



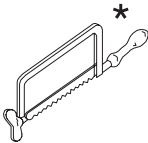
Philips Screwdriver



Electric Drill



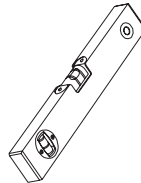
Hack Saw
32 TPI



Pen



Level



*** NOTE:** a chop saw can be used in place of a hacksaw provided that a bi-metal blade has been properly installed.



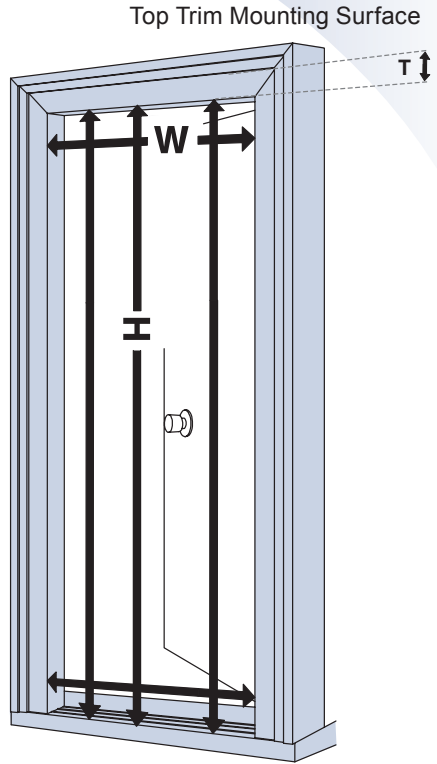
WARNING

Improper use of hand or power tools can result in personal injury and/or product damage. Follow equipment manufacturer's instructions for safe operation. Always wear safety glasses.

Measuring the Door Opening

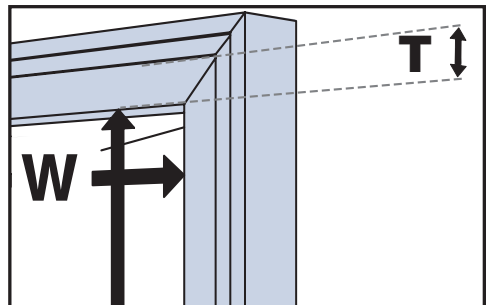
For the width (W), measure the dimension between the right and left exterior trim or door frame at both the top and bottom of the doorway as indicated in the diagram. Record the smallest of the two sizes in the box labeled "Width" below.

For the height (H), measure the inside dimension between the top exterior trim or door frame and the door sill at the lowest point in its slope. Measure in all three locations as indicated in the diagram and record the smallest dimension in the box labeled "Height" below.



Width (W)	Height (H)

Finally, measure the height of the lowest flat portion of the exterior trim or door frame (T). This must be a minimum of 5/8" (16 mm), and must be completely flat and square.



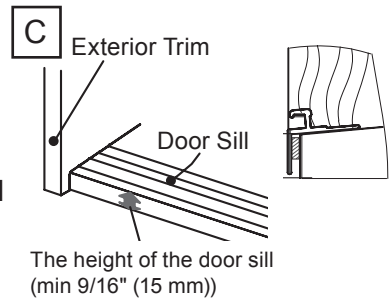
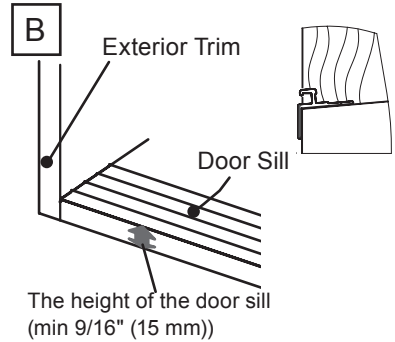
Choosing the Correct Bottom Rail

The screen package comes with two Bottom Rail options to accommodate different configurations. Choosing the correct Bottom Rail is important, since this will determine the final cut size of the Screen.

Low Bottom Rail

Use the Low Bottom Rail 3 in the following circumstances:

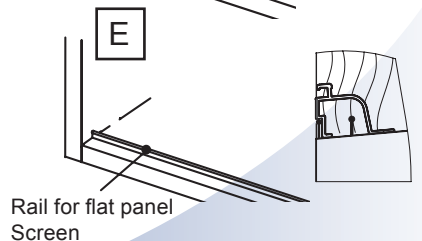
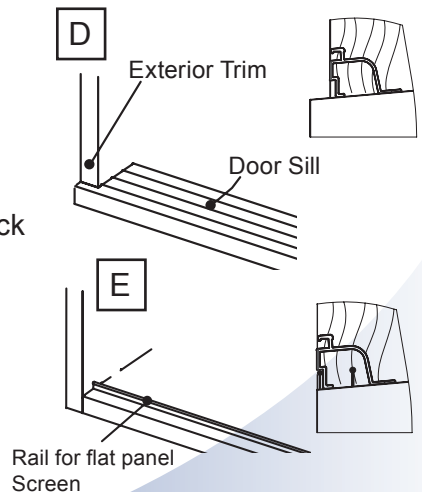
1. The front edge of the door sill is flush with the exterior trim or door frame and there is a minimum of 9/16" (15 mm) clearance from the top of the sill and the deck below **B**.
2. There is a minimum of 9/16" (15 mm) clearance, but the front edge of the door sill is recessed **C**. Use a shim or an aftermarket sill extension to extend the sill so it is flush with the exterior trim or door frame.



High Bottom Rail

Use the High Bottom Rail 4 in the following circumstances:

1. The door sill is flush with the exterior trim or door frame **B**, but there is less than 9/16" (15 mm) clearance to the deck below.
2. The door sill extends beyond the exterior trim **D**.
3. The door sill has an existing track for a sliding screen **E**.



Sizing the Screen

If the door opening is smaller than 36" (914 mm) wide and 80 9/16" (2,047 mm) high when using the Low Bottom Rail ③ or less than 81 3/16" (2,062 mm) high when using the High Bottom Rail ④, the Screen must be cut.

NOTE: Actual Unseen components are designed with offset dimensions to fit a standard opening (see dimensions above); therefore parts will not measure the same as the doorway dimensions. To fit a smaller opening, determine the Length to be Cut from the components by calculating the difference between your doorway measurements and the standard width and height provided above.

Determining Cut Size for Screen Housing

Important: The cut size of the Screen Housing depends on whether the Low Bottom Rail ③ or High Bottom Rail ④ is selected. Ensure that the correct formula is used (see page 9 for Bottom Rail selection).

For Screen Housing with Low Bottom Rail

Use the following formula:

	(Measured Height)	[Length to be cut off]		
80 9/16" (2,047 mm)	- []	=	<input type="text"/>

For Screen Housing with High Bottom Rail

Use the following formula:

	(Measured Height)	[Length to be cut off]		
81 3/16" (2,062 mm)	- []	=	<input type="text"/>

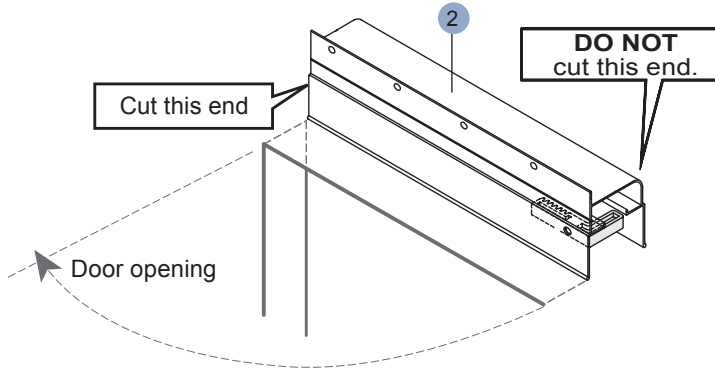
Determining Cut Size for Top Rail and Bottom Rail

Use the following formula:

	(Measured Width)	[Length to be cut off]		
36" (914 mm)	- []	=	<input type="text"/>

Cutting the Top and Bottom Rails

NOTE: Top Rail ② is clearly labeled with CUT and NO CUT zones.

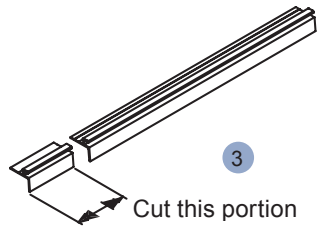


1. Remove the End Caps from both sides of the Top Rail ② .
2. Using the "Length to be Cut" dimension for Top Rail ② calculated on Page 10, carefully measure and mark the rail on all sides to ensure an even cut.
3. Cut straight through Top Rail ② .

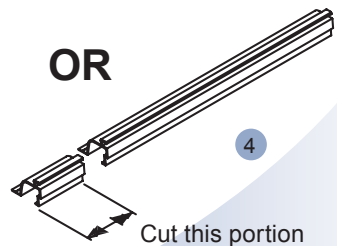
Cutting the Bottom Rail

NOTE: Low and High Bottom Rails ③ and ④ are clearly labeled with CUT and NO CUT zones.

1. Select the Bottom Rail chosen on Page 9.
2. Using the same "Length to be Cut" dimension for Top Rail ② , carefully measure and mark the Bottom Rail on all sides to ensure an even cut.
3. Cut straight through Bottom Rail ③ or ④ .



OR

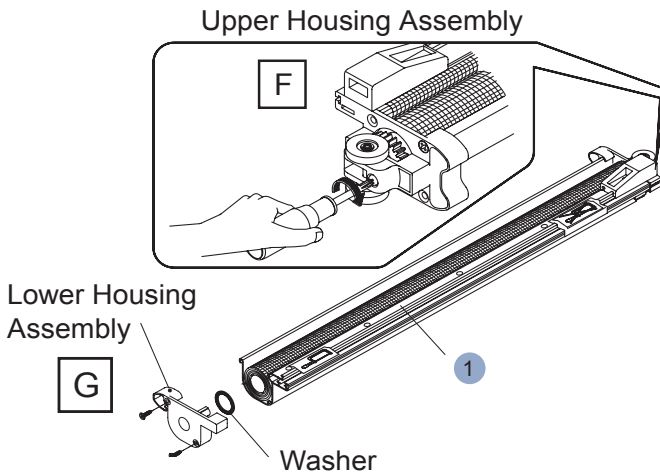


NOTE: After cutting any part of the screen, use a file to remove any burrs from the surfaces.

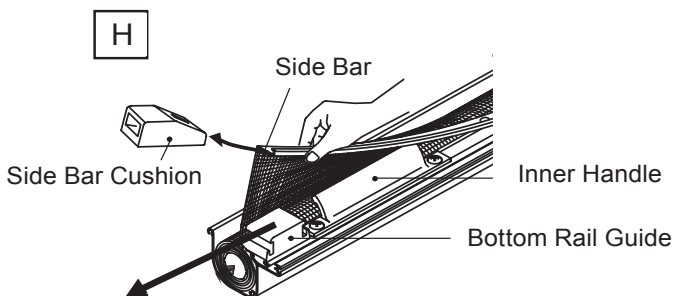
Cutting the Screen Housing

NOTE: All cutting will be done on the lower end of the Screen Housing, away from the Upper Housing Assembly and spring mechanism. The Screen is clearly labeled with CUT and NO CUT zones.

1. Begin by tightening the screw at the top of the Upper Housing Assembly [F]. This will align the Mesh Cylinder for cutting.
2. Remove the Lower Housing Assembly and washer by removing the two screws with a Philips screwdriver. [G]

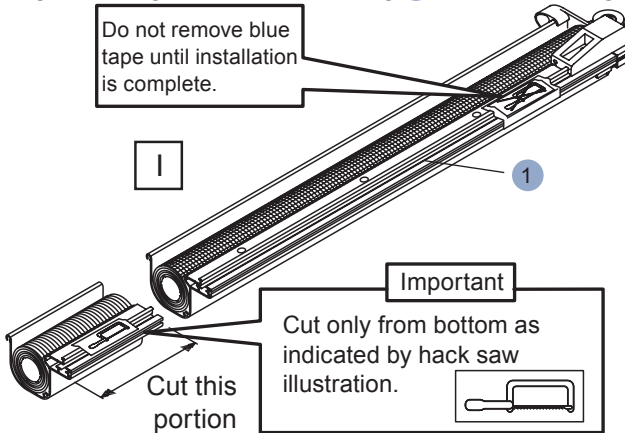


3. Slide the Side Bar Cushion off of the Side Bar and slide the Bottom Rail Guide off of the Screen Housing 1. [H]

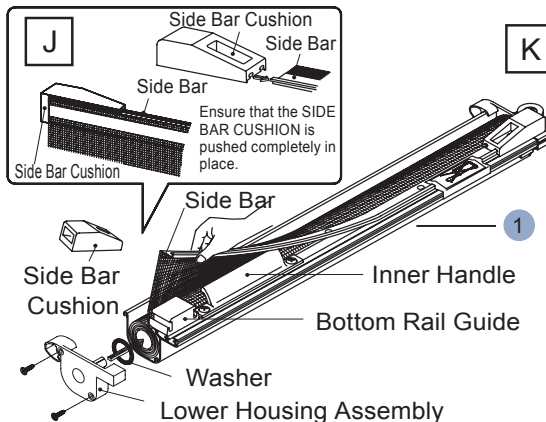


Cutting the Screen Housing

- Carefully measure and mark the Screen Housing on all sides using the "Length to be Cut" dimension for Screen Housing 1 calculated on Page 10.
- Cut straight through Screen Housing 1 and the fiberglass mesh. **I**



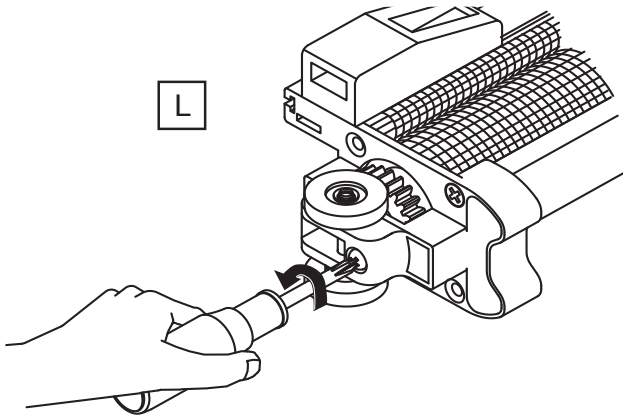
- Replace the Side Bar Cushion onto the Side Bar, ensuring that it is pushed in as far as it will go. **J**



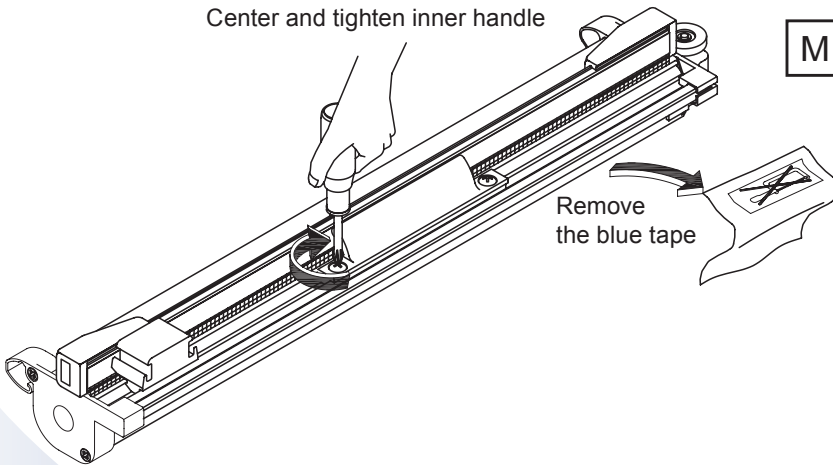
- Slide the Bottom Rail Guide back onto Screen Housing 1 and reattach the Lower Housing Assembly and Washer using the two screws. **K**

Cutting the Screen Housing

- Loosen the screw at the top of the Upper Housing Assembly until the head of the screw is slightly above the Top. **L**



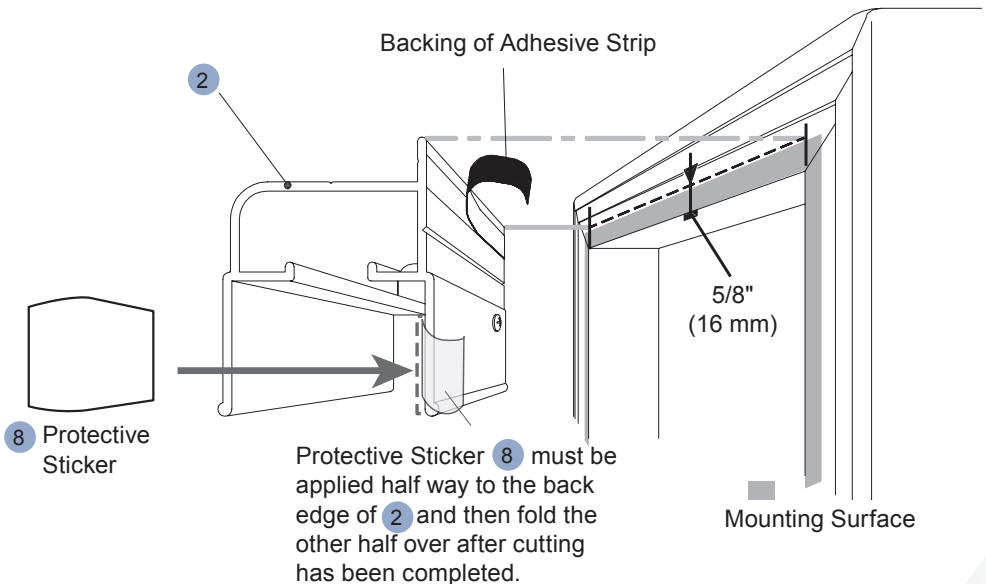
- Finally, remove the blue tape, slide the Inner Handle to the center of the Screen Housing and tighten the screws. **M**



Installing the Top Rail

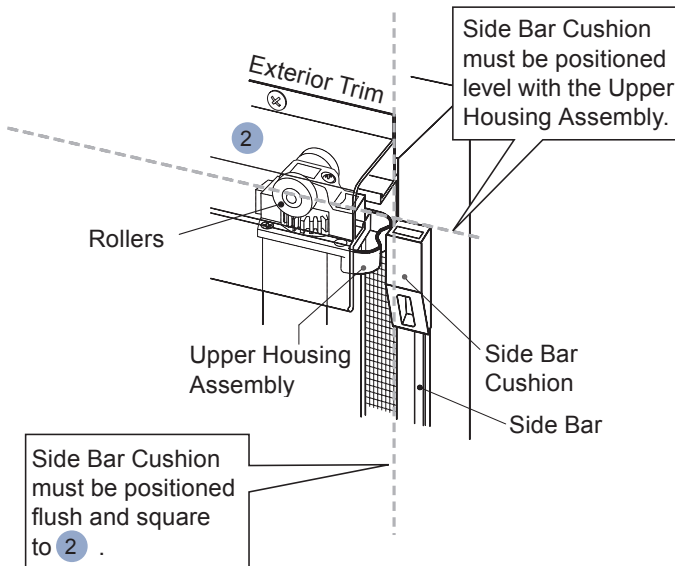
The top edge of the Top Rail 2 will be mounted exactly 5/8" (16 mm) from the bottom edge of the exterior top trim or door frame.

1. Make a mark 5/8" (16 mm) up from the bottom edge of the exterior trim or door frame. Using a level, extend the mark across the surface. This mark will be the reference point for the top edge of the Top Rail 2 .
2. Apply the Protective Sticker 8 to back edge of Top Rail 2 on the right side.
3. Remove the backing on the adhesive strip and position Top Rail 2 along the guide line.
4. Secure Top Rail 2 using the Wood Screws provided.

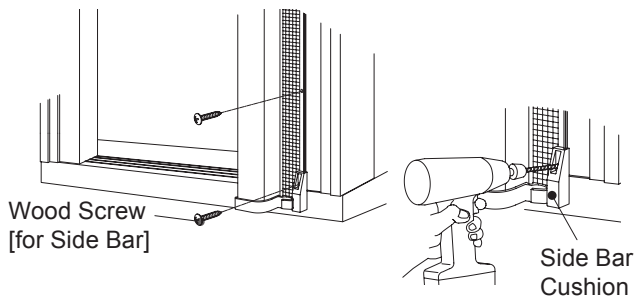


Installing the Screen Housing

1. Insert the rollers of the Screen Housing into Top Rail ② (Right side).
2. Peel the backing off the adhesive strip along the back of the Side Bar.
3. Making sure the top of the Side Bar Cushion is level with the Upper Housing Assembly, fasten the Side Bar Cushion to the exterior trim or door frame using a Wood Screw.
4. Press the Side Bar firmly in place along the exterior trim or door frame, making sure that the fiberglass mesh is kept flat, and the Side Bar is square to Top Rail ② .
5. Using the Wood Screws provided, secure the Side Bar to the exterior trim or door frame.

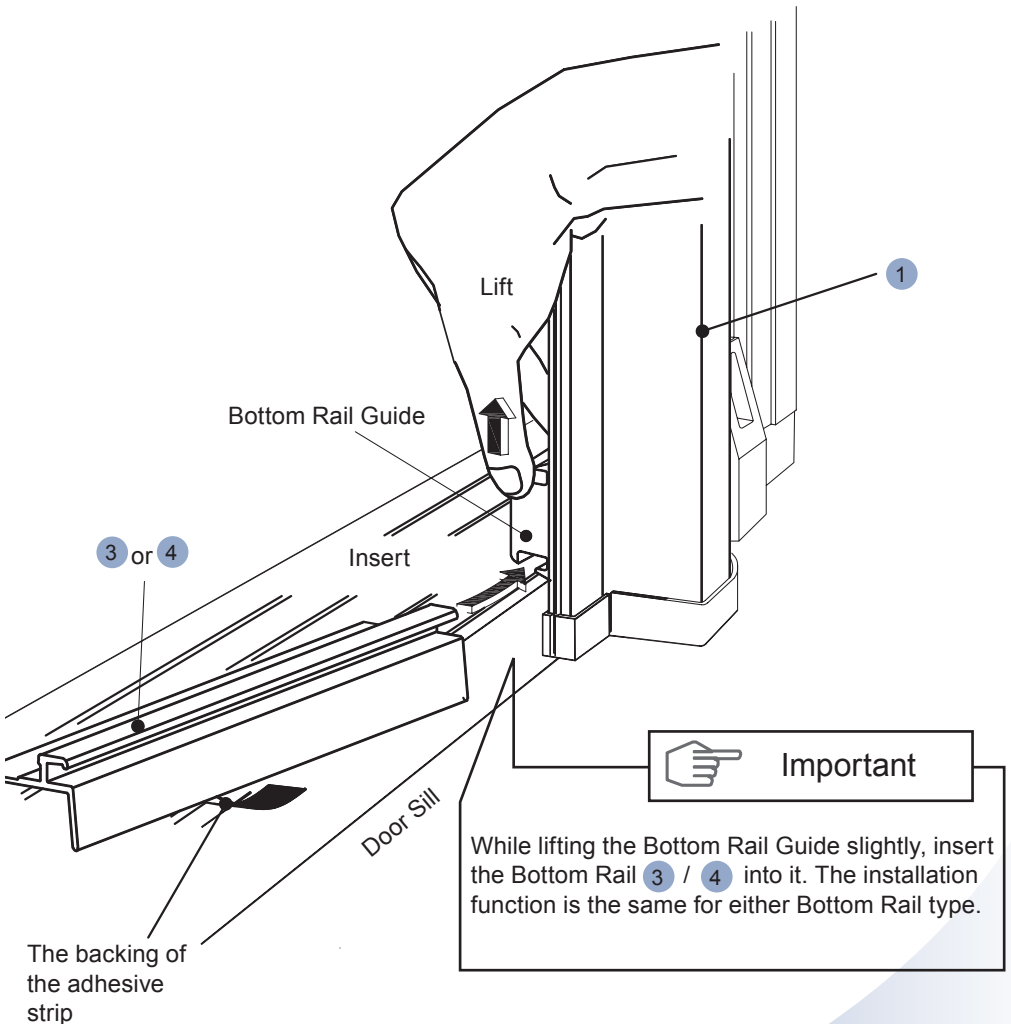


NOTE: If during the sizing of Screen Housing ① , the predrilled hole for the Bottom Side Bar Cushion was removed, a new hole must be drilled.



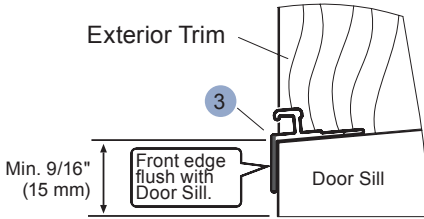
Installing the Bottom Rail

1. Select the Bottom Rail (Low or High) chosen on Page 9, and remove the adhesive backing.
2. While slightly lifting the Bottom Rail Guide on the Screen Housing **1** , insert Bottom Rail **3** or **4** .
3. Slide the Bottom Rail in just far enough so that when laying flat on sill, it will be tight against the left side of the door frame.

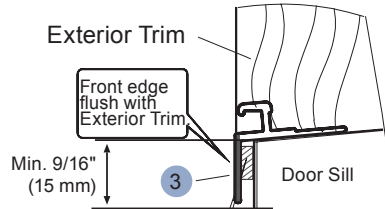


Positioning the Bottom Rail

A. Door Sill flush with Exterior Trim

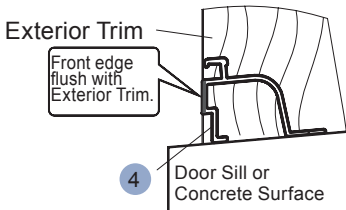


B. Door Sill recessed from Exterior Trim

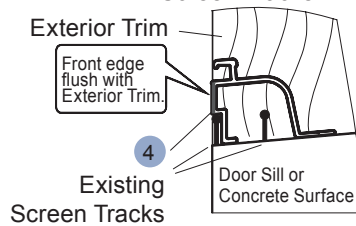


Shim can be installed between Door Sill and 3 for added support. Shim not included.

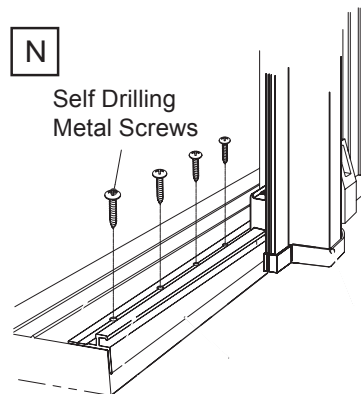
C. Door Sill extends beyond Exterior Trim



D. Door Sill with Existing Screen Tracks

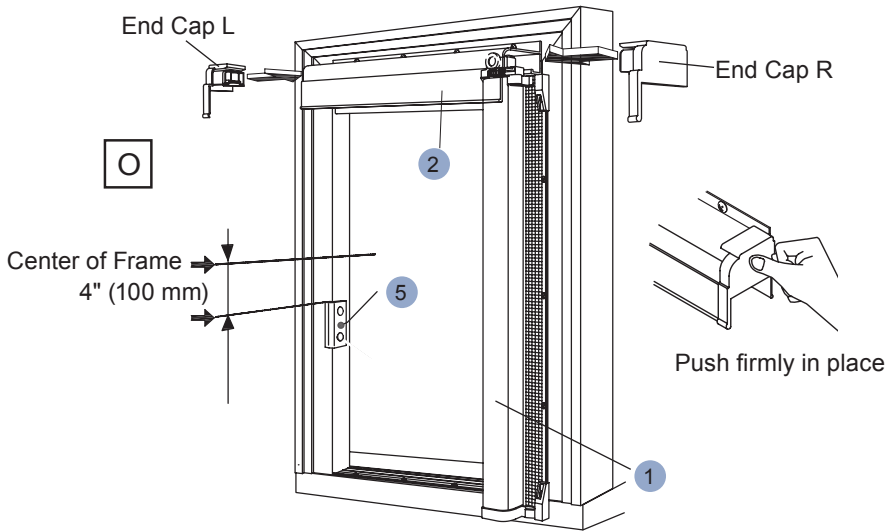


4. While keeping it tight to the left door frame, position the bottom rail flush with the exterior trim (see above drawing), and then press down firmly into place.
5. Through the predrilled holes in the Bottom Rail 3 or 4, fasten to the door sill using the Self Drilling Metal Screws provided. **N** It is not necessary to pre-drill the surface below.



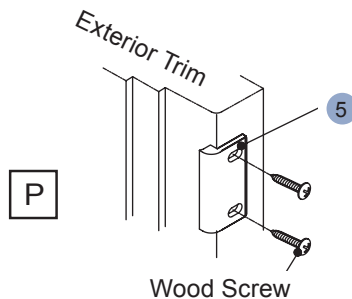
Install the End Caps

1. Locate the two End Caps removed during earlier installation steps and press firmly into place on both ends of Top Rail **2** **O**.



Install the Latch

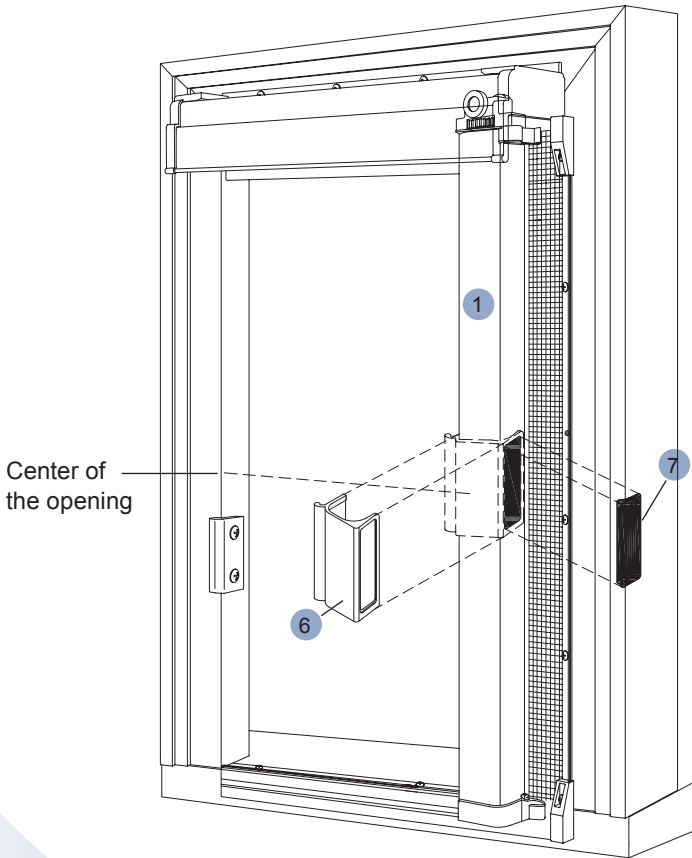
1. Position Latch **5** to the left inner edge of the exterior trim or door frame, 4" (100 mm) below the center of the frame. **O**
2. Fasten in place using the Wood Screws provided. **P**



Final Steps

Installing the Handle

1. Remove the backing on the adhesive strip from the back side of the Handle **6**.
2. Adhere the Handle **6** onto the Screen Housing **1** at the center of the door opening.
3. Remove the backing on the adhesive strip from the Handle Grip **7**.
4. Insert the Handle Grip **7** into the hole on the Handle **6** and adhere onto the Screen Housing **1**.



**Congratulations! You have now installed your
Unseen Screen!**

Service and Maintenance Hints

The Unseen Screen is designed and engineered to be maintenance free. The following are some helpful hints to ensure the smooth operation of your Unseen Screen for years to come.

- The moving components used in the screen contain nylon. This combination of compounds is strong, impact resistant, and self-lubricating. Do not use oil, grease, petroleum or oil based sprays or lubricants on any of the components on the screen. These products attract dirt and debris, which may affect the operation of the Unseen Screen. However, the periodic application of a dry silicone lubricant to the moving parts is permissible.
- We recommend that when the screen is not required, keep it stored away in the Screen Housing. This will extend the life of the mesh and keep it clean.
- The Bottom Rail should be kept free of dirt and debris. Use a broom to remove any obstructions from the Bottom Rail.
- If the screen mesh becomes damaged or torn, a Replacement Mesh Cartridge can be purchased separately through the help line.

If you have any questions during the installation of the Unseen Screen, please call toll free:

1-866-333-8868



True to you. Pure Phantom

Unseen Screen Limited Lifetime / Non-transferable Manufacturer's Warranty

The Unseen Screen is warranted by Seiki Screen Systems to be free of manufacturer's defects in materials or workmanship, for as long as the original purchaser owns and/or resides at that residence and that the product remains at its original point of installation. Seiki Screen Systems will repair or replace at its discretion, any component, within the terms and conditions of this warranty, which is deemed as being defective from the manufacturing process upon proof of purchase. This warranty excludes the screen mesh.

Furthermore this warranty does not cover components damaged through improper use or installation, or if components have been altered from their original state in a manner not otherwise prescribed in this manual. This warranty is strictly limited to defective components only. This non-transferable, limited warranty excludes labor, breakage or damage due to normal wear and tear, lack of maintenance, or use for other than residential applications, accidents and "acts of God".

Replacements or repairs made subject to this limited warranty are otherwise warranted for the balance of the original warranty period. Seiki Screen Systems' liability under this limited warranty is restricted to the corrective actions as set forth herein and contrarily repudiates all incidental and consequential damage. It is the responsibility of the consumer to notify Seiki Screen Systems of missing components, within 30 days of the purchase of the Unseen Screen.

The Unseen Screen is designed to assist in keeping unwanted insects from the home; it is in no way intended as a safety or security device to prevent access or exit by individuals, animals or small children. Liability for any damages, including but not limited to general, special, indirect, incidental, consequential, aggravated, punitive or exemplary damages, and economic loss, as well as for breach of any expressed or implied warranties, including but not limited to implied warranties of merchantability, quality and fitness for any purpose other than as prescribed herein, is disavowed and omitted here from, to the extent that such a disclaimer and preclusions are permitted by the laws of any particular jurisdiction.

Maintenance: Keep Bottom Rail clean and free of debris. Periodic use of silicone spray on the rollers of the Upper Housing Assembly and the Bottom Rail Guide is recommended; do not use petroleum-based lubricants.

Unseen Screen
Designed and Manufactured by Seiki Screen Systems
Marketed by Phantom Screens
PRODUCT INFORMATION MANUAL
For warranty claims
Call 1-866-333-8868

Designed & Manufactured by Seiki Screen Systems TM

Marketed & Distributed by Phantom Screens [®]



Seiki Screen Systems

www.seikiscreensystems.com



True to you. Pure Phantom

Phantom Mfg. (Int'l) Ltd.

www.phantomscreens.com